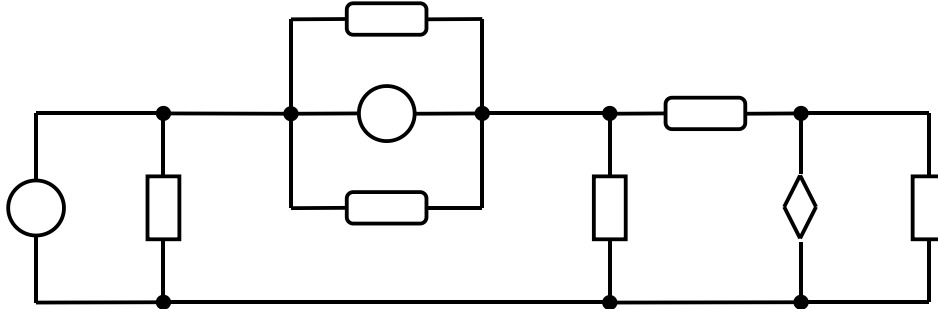


EE 2240  
**Problem #04**



- How many nodes does the circuit have?
- How many branches does the circuit have?