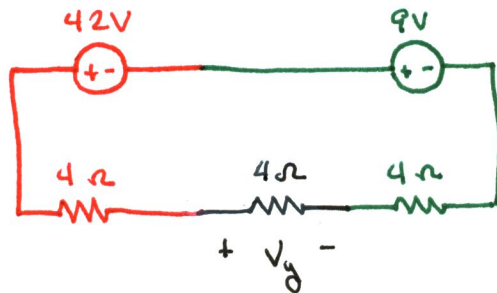
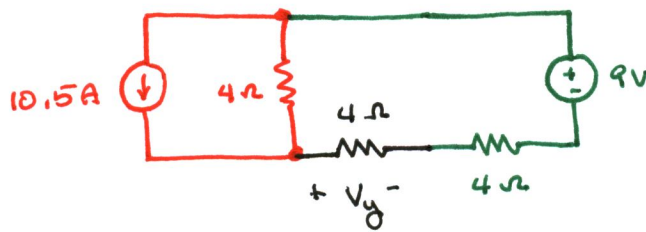
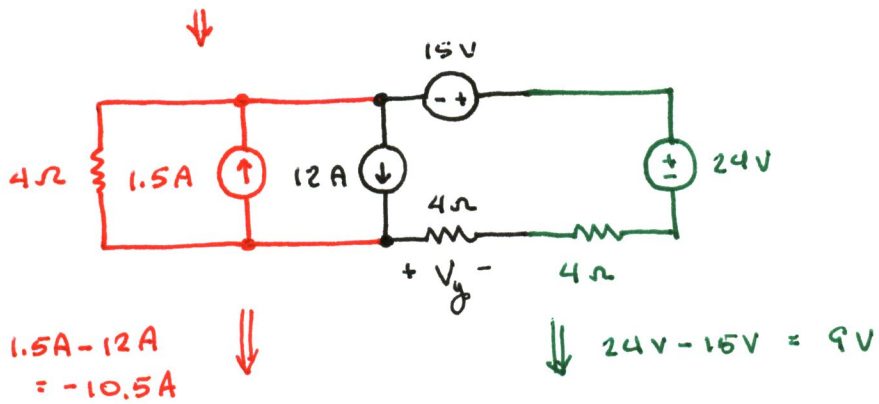
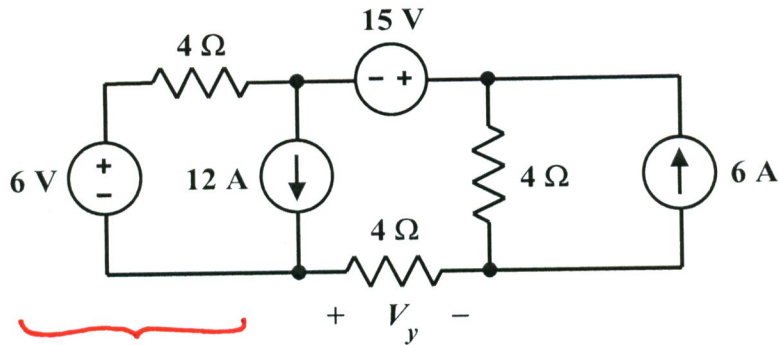


EE 2240
Problem #05

Use a sequence of source transformations to determine the value of V_y . Show all of your work.



$$V_y = \frac{4\Omega}{4\Omega + 4\Omega + 4\Omega} (42V + 9V) = 17V$$