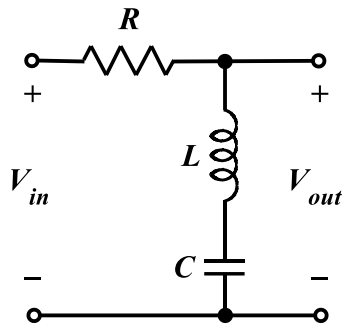


EE 3340
Homework Problem #023

A passive *RLC* filter circuit is given below.



- a. Determine an expression for the voltage transfer function, V_{out}/V_{in} . Also, determine expressions for the magnitude and the phase angle of that transfer function.

- a. Classify the filter as LP, HP, BP or BS, and explain your reasoning.