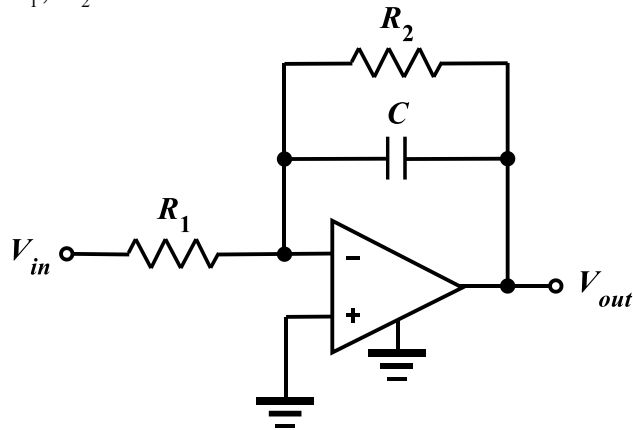


Homework Problem #024

- a. For the active filter circuit shown below, determine an expression for the voltage transfer function in terms of R_1 , R_2 and C .



- b. Characterize the circuit as LP or HP, and justify your decision by determining values for the low-frequency gain, the high-frequency gain, and the cutoff frequency.