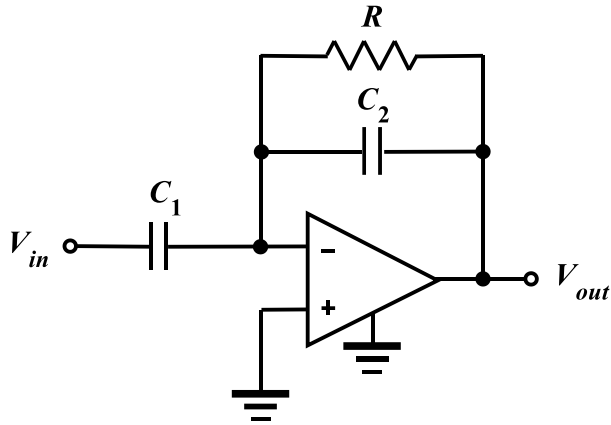


Homework Problem #025

- a. For the active filter circuit shown below, determine an expression for the voltage transfer function in terms of R , C_1 and C_2 .



- b. Characterize the circuit as LP or HP, and justify your decision by determining values for the low-frequency gain, the high-frequency gain, and the cutoff frequency.