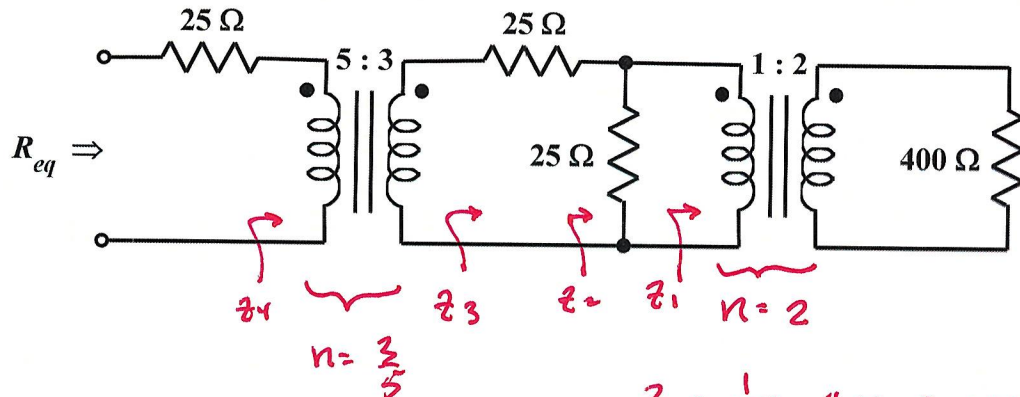


Homework Problem #049

For the circuit shown below, determine R_{eq} .



$$z_1 = \frac{1}{(2)^2} 400 = 100 \Omega$$

$$z_2 = \frac{25 \cdot 100}{125} = 20 \Omega$$

$$z_3 = 25 + z_2 = 45 \Omega$$

$$z_4 = \frac{1}{\left(\frac{3}{5}\right)^2} z_3 = \frac{25}{9} 45 = 125 \Omega$$

$$R_{eq} = 25 + z_4 = 150 \Omega$$