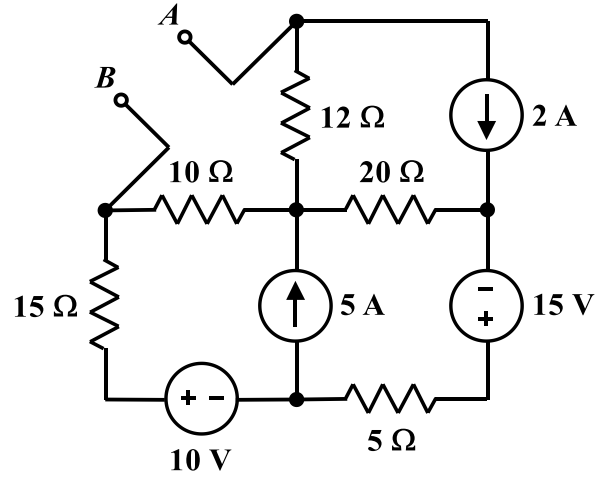


EE 4474/5574

Homework Problem #008



Use the superposition method to determine V_{AB} .