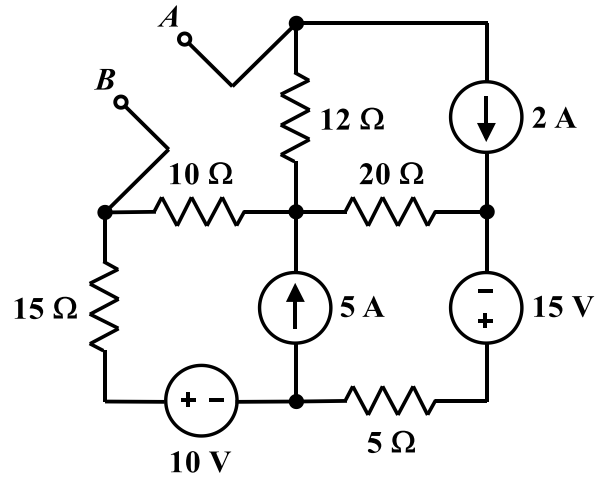


EE 2240
Homework Problem #08



Use the superposition method to determine V_{AB} .