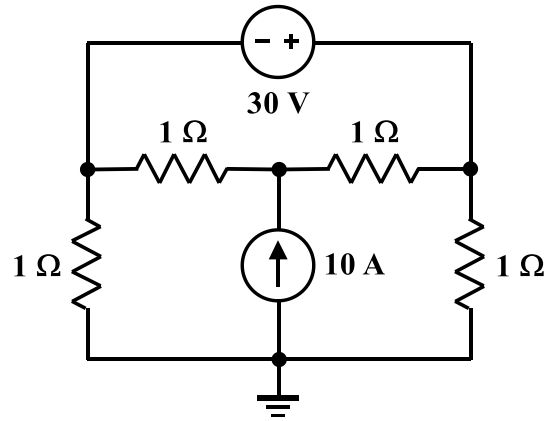


EE 2240
Homework Problem #10



- a. Develop mesh equations and express them in the standard matrix form.
- b. Solve the equations and determine whether the 30 V source is *delivering* or *absorbing* power, and how much.